



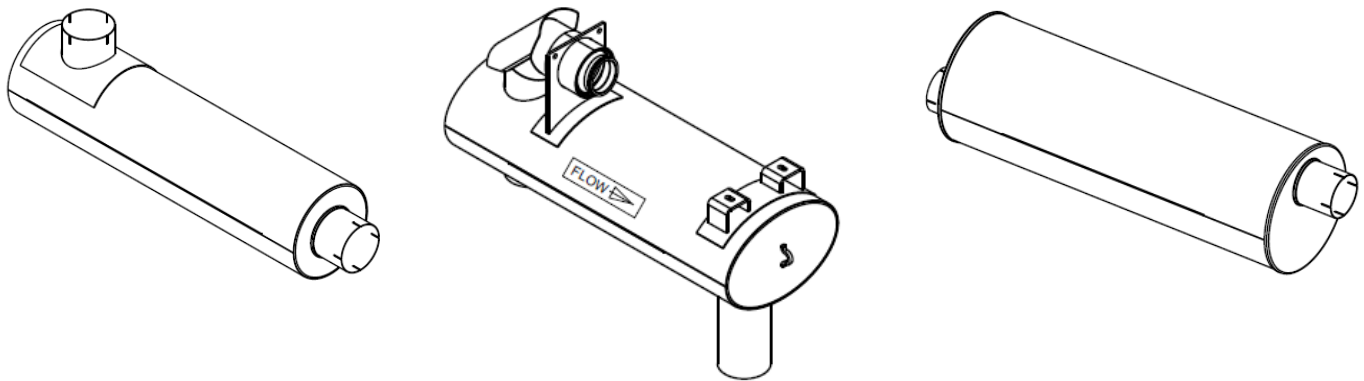
AZ Purifier and Purimuffler

Custom Design Purimufflers™

Often standard in-line design catalysts can not be utilized due to the restrictions of space. For these applications AZ purifiers are available as custom designed units specifically tailored to suit the installation restrictions of the vehicle. Specialist custom designs are often manufactured as muffler replacement products. Selecting from an extensive CDTi database, many designs are available for present and past ranges of vehicle & equipment models.

Please consult CDTi for selection and recommendation, providing vehicle make, model and engine type details. Selection lists by vehicle make are often available – on request.

Example AZ Purimuffler Designs



The AZ family of Purifiers and Purimufflers can also be sized and applied to stationary engine applications for RICE NESHP compliance.



AZ PURIFIER-PURIMUFFLER CATALYST SIZING

Part Type	AZ26	AZ27	AZ28	AZ29	AZ30	AZ31
Intake Air Range (CFM)	0- 250	250 - 375	375 - 525	525 - 725	725 - 900	900 - 1150

PLEASE CONTACT YOUR CDTi DISTRIBUTOR FOR PRICE AND LEAD TIMES

Telephone: 011 827 2824

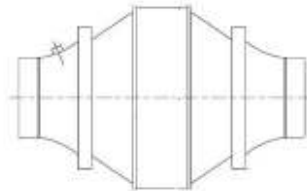
Web: www.ruspet.co.za

Email: russell@ruspet.co.za

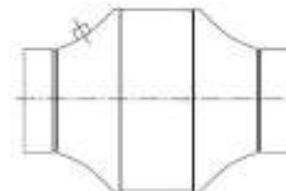
AZ Purifier

CDTi's AZ Purifiers are manufactured in two configurations, Clamped and All-Welded. The Clamped AZ Purifier can be disassembled to access the substrate should it require cleaning. Additionally, the Clamped AZ is modular and can be utilized in conjunction to the DMS/ DMXS II Silencer. CDTi's All-Welded AZ Purifier is ideal when installation space is limited.

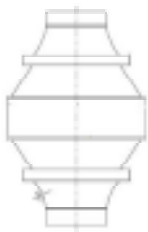
Clamped AZ Purifier



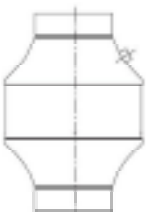
All-Welded AZ Purifier



Select the desired DOC system part number by matching the correct Inlet/ Outlet size and catalyst model



Size	2.0"	2.5"	3.0"	3.5"	4.0"	5"	6.0"	Length (in.)	Diameter (in.)
AZ26	A16C-0023	A16C-0028	A16C-0033	A16C-0047	A16C-0059			13.3	8.0
AZ27	A16C-0020	A16C-0031	A16C-0032	A16C-0043	A16C-0056			20.3	8.0
AZ28		A16C-0172	A16C-0036	A16C-0046	A16C-0055	A16C-0100		22.3	8.0
AZ29			A16C-0034	A16C-0045	A16C-0054	A16C-0071	A16C-0080	22.6	9.9
AZ30			A16C-0176	A16C-0048	A16C-0057	A16C-0070	A16C-0079	22.6	10.9
AZ31				A16C-0106	A16C-0058	A16C-0059	A16C-0077	22.6	11.6



Size	2.0"	2.5"	3.0"	3.5"	4.0"	5"	6.0"	Length (in.)	Diameter (in.)
AZ26	A16C-0118	A16C-0132	A16C-0131					16.9	6.2
AZ27		A16C-0174	A16C-0130	A16C-0155	A16C-0117			22.1	8.0
AZ28		A16C-0191	A16C-0146	A16C-0128	A16C-0120			22.1	8.0
AZ29		A16C-0157	A16C-0037	A16C-0161	A16C-0125	A16C-0121		21.3	10.0
AZ30					A16C-0126	A16C-0127		23.0	11.0
AZ31					A16C-0162	A16C-0163	A16C-0183	23.0	11.6

AZ PURIFIER ASSEMBLY REPLACEMENT COMPONENTS

Part Type	AZ26	AZ27	AZ28	AZ29	AZ30	AZ31
Center Section	A16C-0166	A16C-0006	A16C-0003	A16C-0009	A16C-0002	A16-0004
Clamp	E27-0003	E27-0005	E27-0005	E27-0005	E27-0005	E27-0005
Gasket	E30-0007	E30-0006	E30-0006	E30-0006	E30-0006	E30-0006

PLEASE CONTACT YOUR CDTi DISTRIBUTOR FOR PRICE AND LEAD TIMES

Telephone: 011 827 2824

Web: www.ruspet.co.za

Email: russell@ruspet.co.za